

# SPECIFICATIONS

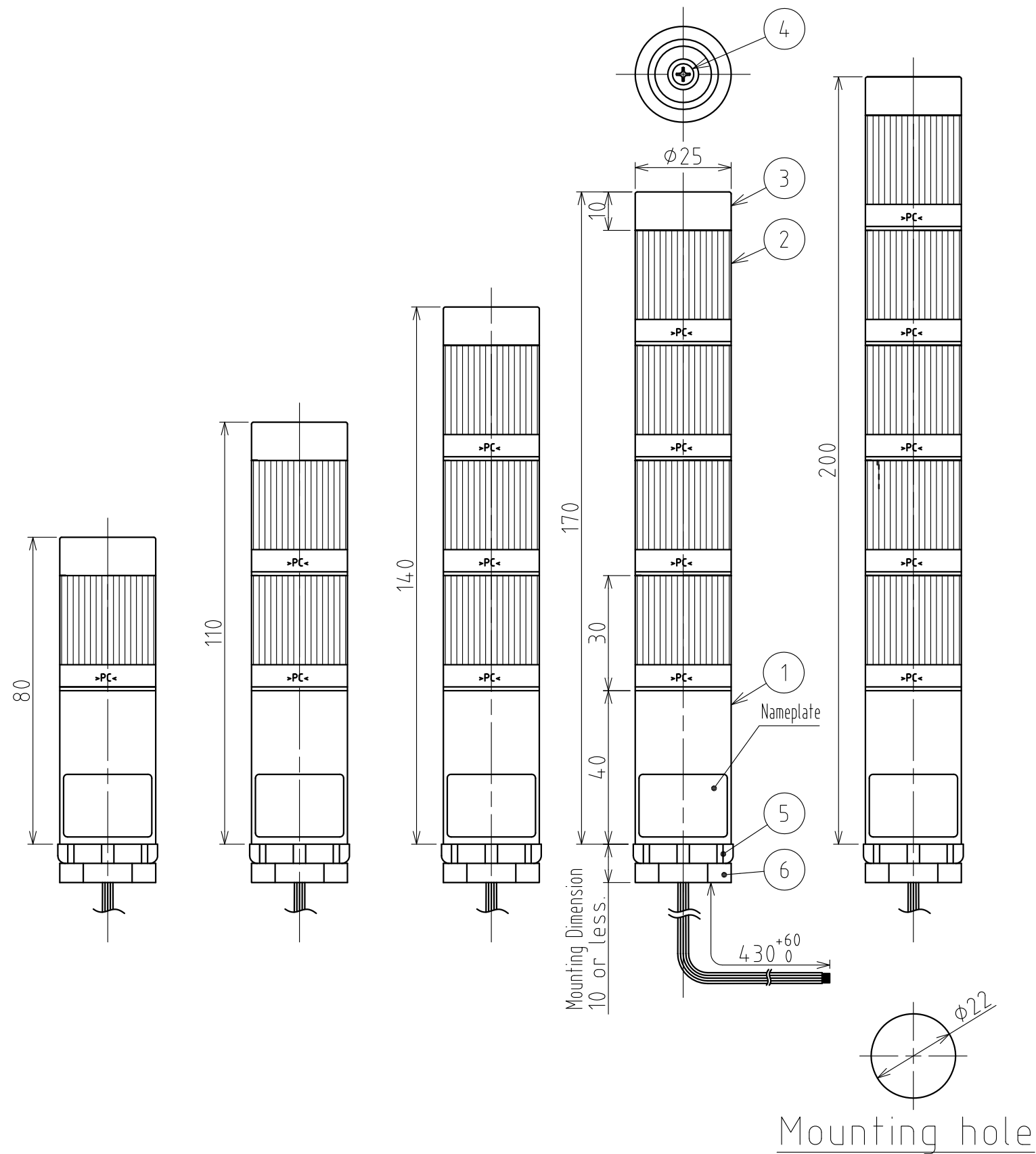
[General Specifications]

Model	5 tiers	MES-502A											
	4 tiers	MES-402A											
	3 tiers	MES-302A											
	2 tiers	MES-202A											
	1 tier	MES-102A											
UL Registered Model		MES-_02A											
Rated Voltage		24 V DC											
Operating Voltage Range		Rated Voltage $\pm$ 10%											
Signal Wire Current (Rated Current Consumption)		Per LED Unit											
		Red	Amber	Green	Blue	White							
		Typ.	25.2mA	25.2mA	13.3mA								
Max.	30.2mA	29.2mA	17.0mA										
Operating Ambient Temperature		-10 °C to +55°C											
Operating Ambient Humidity		Less than 90 % (No condensation)											
Mounting Location		Indoors											
Mounting Direction		Upright											
Protection Rating		IP 42											
Environmental Condition		Mounted in the upright position											
Vibration Resistance		19.6m/s <sup>2</sup> (at 30Hz)											
Insulation Resistance		More than 1M $\Omega$ at 500VDC between the terminals and the chassis											
Withstand Voltage		500VAC applied for 1min between terminals and chassis without breaking insulation											
Luminous Intensity		Red	Amber	Green	Blue	White							
		more than 1300mcd	more than 800mcd	more than 1100mcd	more than 500mcd	more than 800mcd							
Mass (Tolerance $\pm$ 10%)		1 tier	2 tiers	3 tiers	4 tiers	5 tiers							
		0.12kg	0.13kg	0.14kg	0.15kg	0.16kg							
Outer Dimensions		Refer to the Outer Dimension Drawing											
Conformity Standards		<ul style="list-style-type: none"> <li>•EMC Directive (EN 61000-6-4, EN 61000-6-2)</li> <li>•RoHs Directive (EN 50581)</li> <li>•UL 508, CSA-C22.2 No.14</li> </ul>											
Remarks		<ul style="list-style-type: none"> <li>•UL Recognized Component (File No.E215660)</li> <li>•Model Number</li> </ul> <p style="text-align: center;">ME <span style="border: 1px solid black; padding: 0 2px;">I</span> - <span style="border: 1px solid black; padding: 0 2px;">II</span> <span style="border: 1px solid black; padding: 0 2px;">III</span> A - <span style="border: 1px solid black; padding: 0 2px;">IV</span></p> <table border="1" style="width: 100%; border-collapse: collapse; margin-top: 5px;"> <tr> <td style="text-align: center; width: 25%;"><b>I</b> Body</td> <td style="text-align: center; width: 25%;"><b>II</b> Tier</td> <td style="text-align: center; width: 25%;"><b>III</b> Rated Voltage</td> <td style="text-align: center; width: 25%;"><b>IV</b> Luminous Color</td> </tr> <tr> <td>Blank : 200mm Body S : 40mm Body L : 500mm Body</td> <td>1 : 1Tier 2 : 2Tier 3 : 3Tier 4 : 4Tier 5 : 5Tier</td> <td>02 : 24V DC</td> <td>R : Red / Y: Amber / G : Green / B : Blue / C : White ※ LED Colors are from top to bottom</td> </tr> </table>				<b>I</b> Body	<b>II</b> Tier	<b>III</b> Rated Voltage	<b>IV</b> Luminous Color	Blank : 200mm Body S : 40mm Body L : 500mm Body	1 : 1Tier 2 : 2Tier 3 : 3Tier 4 : 4Tier 5 : 5Tier	02 : 24V DC	R : Red / Y: Amber / G : Green / B : Blue / C : White ※ LED Colors are from top to bottom
<b>I</b> Body	<b>II</b> Tier	<b>III</b> Rated Voltage	<b>IV</b> Luminous Color										
Blank : 200mm Body S : 40mm Body L : 500mm Body	1 : 1Tier 2 : 2Tier 3 : 3Tier 4 : 4Tier 5 : 5Tier	02 : 24V DC	R : Red / Y: Amber / G : Green / B : Blue / C : White ※ LED Colors are from top to bottom										

No. MES-502A-W18E-1\_2

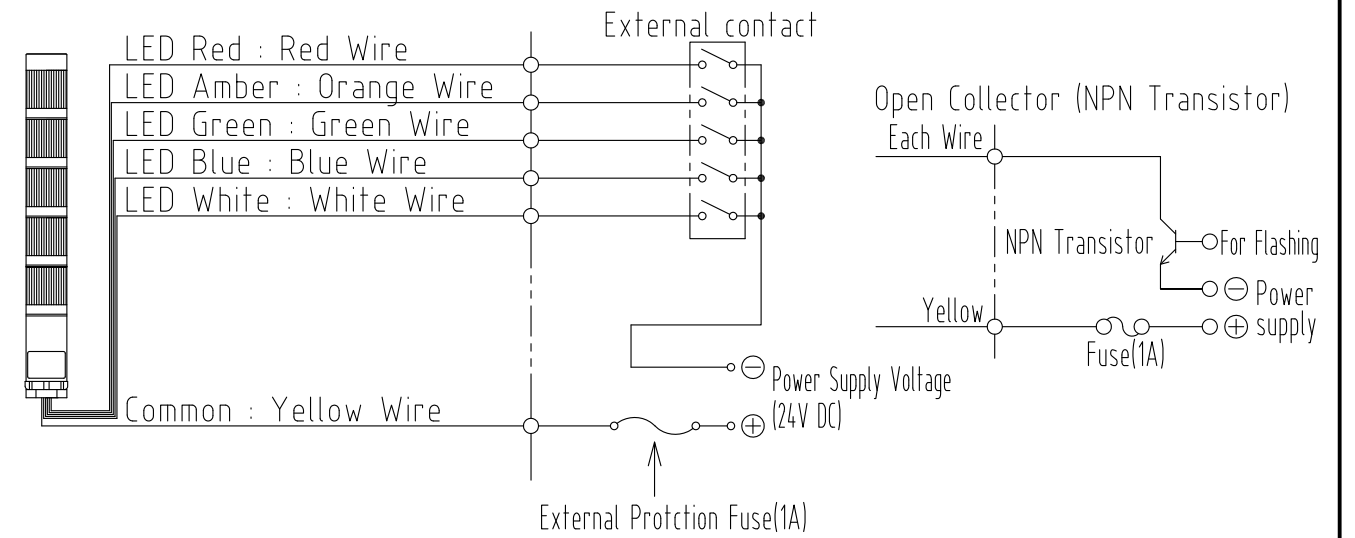
## PATLITE Corporation

# Outer Dimensions



# Wiring Example

Wire Type : UL1007/AWG22



[Note]

1. Insulate all unused wires with insulation tape, heat-shrink tubing, etc.
2. Use a "Class 2" power supply.

6	Gland	-	1	PF1/2, MFNi	
5	Lock Nut	-	1	PF1/2, MFZn	
4	Screw	-	1	M3, MFZn	
3	Head Cover	-	1	PC, Coating(Silver)	
2	LED Unit			LED Color :Red,Amber,Green,Blue,White Lens : PC / Reflector : ABS	
1	Body	-	1	Al	
番号 No.	部品名 Part Name	品目コード Part No.	数量 Qty.	材料 & 寸法 & 処理 Material & Size & Finish	記事 Remarks

Outer Dimension Drawing

株式会社 パトライト  
PATLITE Corporation

MES-502A-W18E-2\_2